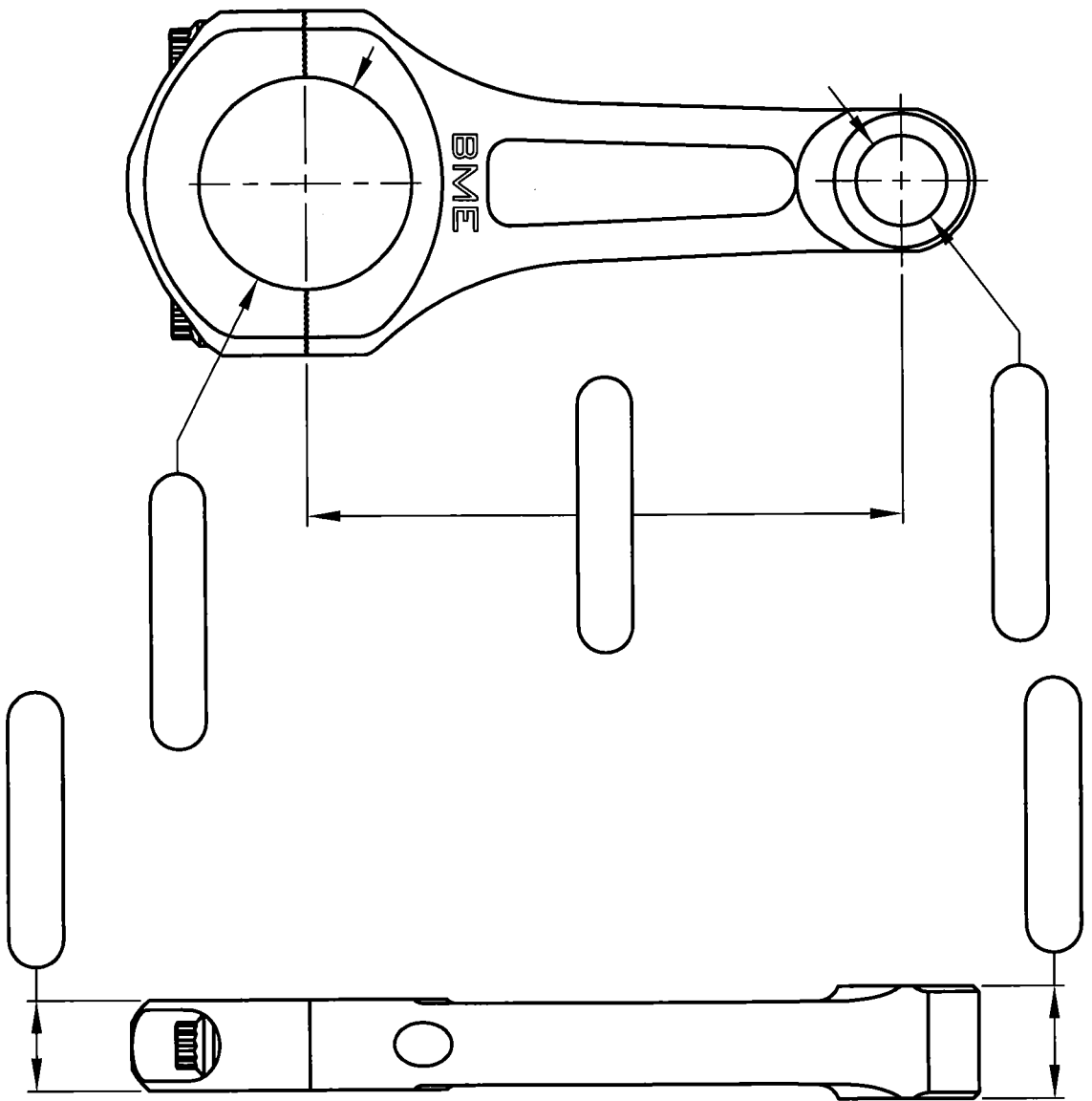


CUSTOM ALUMINUM ROD ORDER FORM



CUSTOMER SIGNATURE: _____

DATE: _____

NOTE: ONLY SIGN THIS FORM IF IT IS COMPLETE. SIGNING SPECIFIES THAT YOU, THE CUSTOMER, ARE RESPONSIBLE FOR ALL ABOVE DIMENSIONS. CUSTOM MERCHANDISE REQUIRES A DEPOSIT AND IS NON-CANCELABLE AND NON-REFUNDABLE.

CUSTOMER NAME	
CUSTOMER PHONE #	
CUSTOMER FAX #	
PURCHASE ORDER #	
PART #	
ENGINE TYPE	
STROKE	
APPLICATION	
QUANTITY	
CYLINDER BORE	



BILL MILLER ENGINEERING
 4895 CONVAIR DR. CARSON CITY, NV 89706
 (775) 887-1299 FAX (775) 887-0390